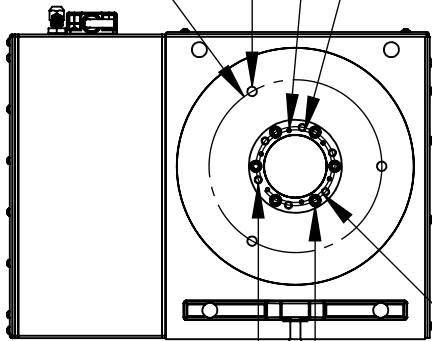
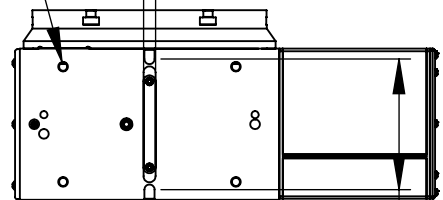


4X ϕ .78in [19.8mm] THRU ALL
 \sqsubset ϕ 1.19in [30.2mm] ∇ .80in [20.3mm]

3X 1/2-13 UNC-2B ∇ .50in [12.7mm]
 ϕ 9.00in [228.6mm] Bolt Hole Circle
 6X ϕ .16in [4.0mm] ∇ .54in [13.7mm]
 10-32 UNF - 2B ∇ .38in [9.7mm]
 ϕ 3.78in [96.0mm] Bolt Hole Circle

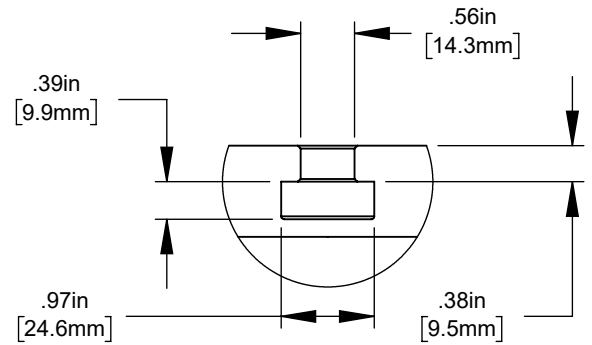
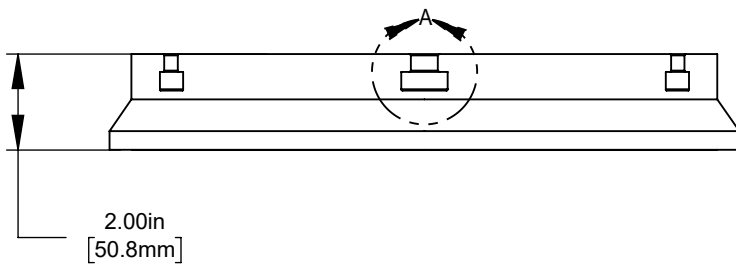
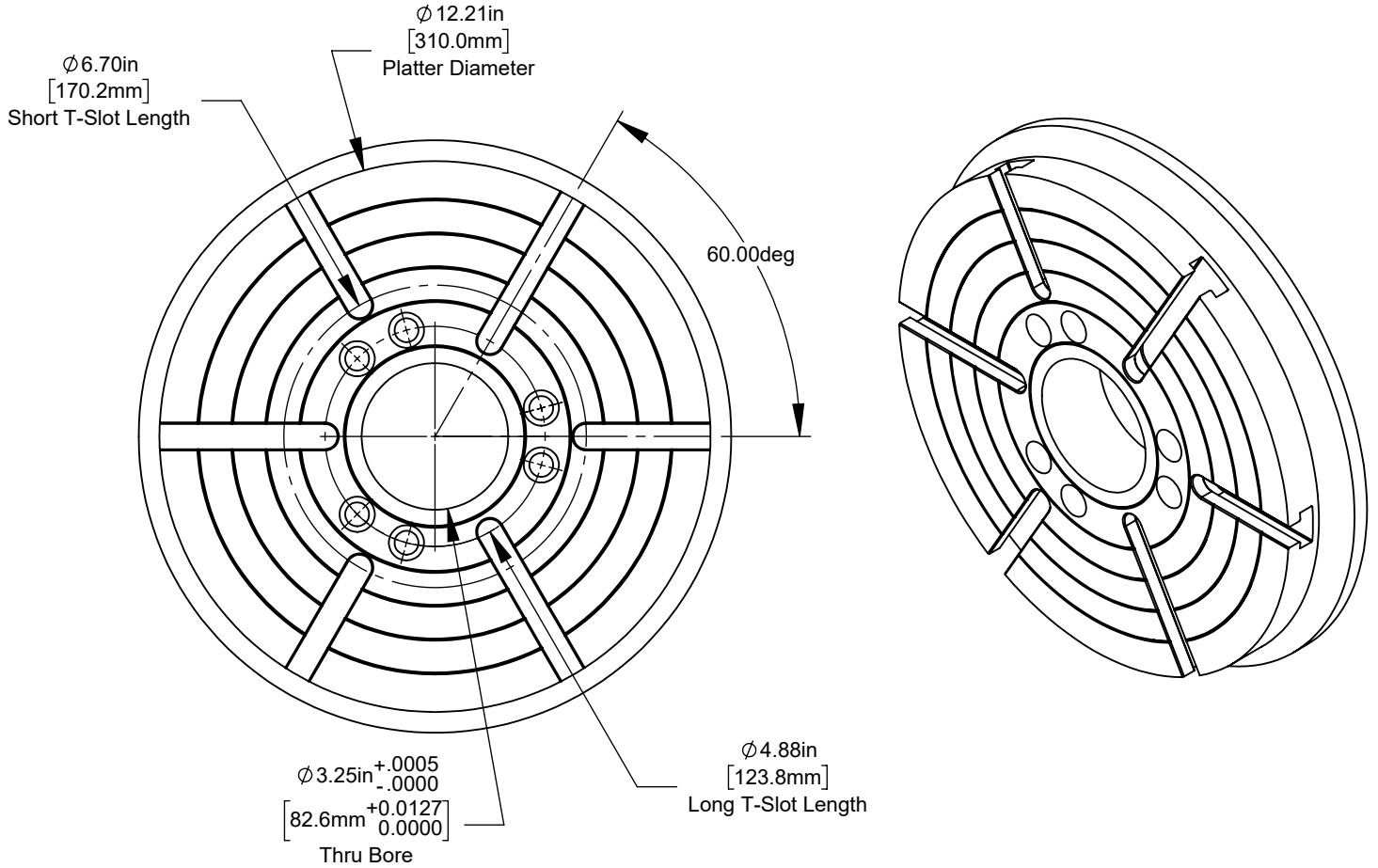


4X ϕ .42in [10.7mm] ∇ .90in [22.9mm]
 1/2-13 UNC - 2B ∇ .63in [16.0mm]
 .629in [15.98mm] Locating Key



6X ϕ .31in [7.9mm] ∇ .74in [18.8mm]
 3/8-16 UNC - 2B ∇ .55in [14.0mm]
 ϕ 4.11in [104.4mm] Bolt Hole Circle
 6X ϕ .39in [9.9mm] THRU ALL
 \sqsubset ϕ .59in [15.1mm] ∇ .40in [10.2mm]

.53in [13.5mm] Tie-Down Slots
 6.80in [172.7mm] Tie-Down Slots



DETAIL A
SCALE 1 : 2